

**Input**

Rated input voltage	100 V ~ 240 V ac
Input voltage range	90 V ~ 264 V ac
Rated frequency	50~60 Hz
Frequency range	47~63 Hz
Rated input current	100 mA RMS max.
Inrush current	15 A max. at 115 / 30 A max. at 230 V ac cool start
No load power consumption	0.5 W max. (CEC Compliant)

Output

Output voltage	5 V dc at 0.5 A
Output min. current	0 A
Line regulation	± 1%
Load regulation	± 0.3V
Over voltage protection	9 V dc max. (output shut down)
Short circuit protection	output shut down and auto restart
Ripple voltage	150 mV (p-p) (100~240 V ac at full load)
Efficiency	Energy Star Compliant - Efficiency Level IV
Output connection	USB type A receptacle

Safety and EMI

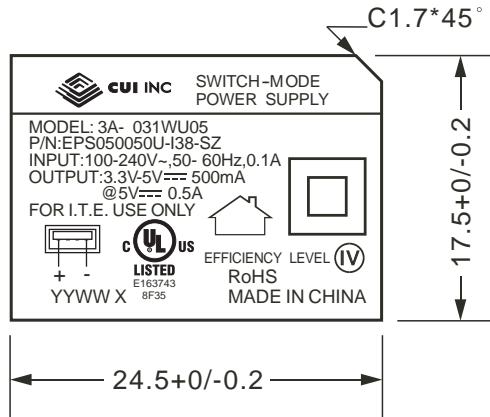
HI-POT	input to output	3000 V ac or 4242 V dc at 10 mA for 1 min.
Insulation resistance	input to output	> 100 M Ohm at 500 V dc
Safety approvals	UL/cUL	
EMI standard	FCC class B, CE, VCCI-I	
RoHS compliant	yes	
Leakage current	0.25 mA	

Environmental

Storage temperature	-10°C ~ +70° C
Operating temperature	0°C ~ +40° C
Storage humidity	10~90%
Operating humidity	20~80%



Label



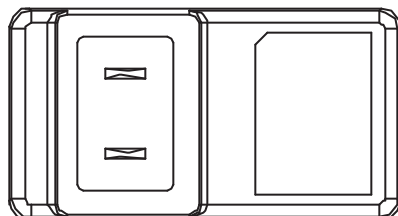
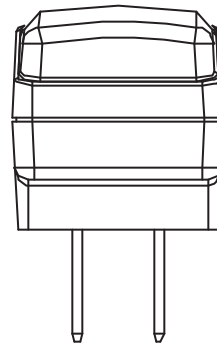
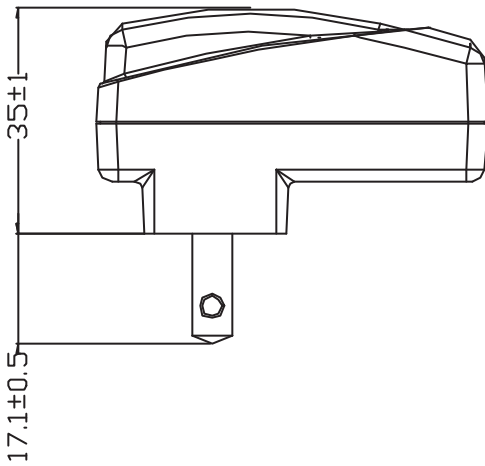
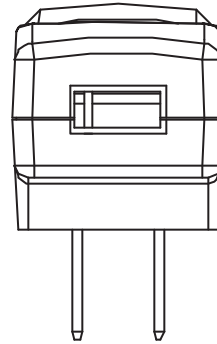
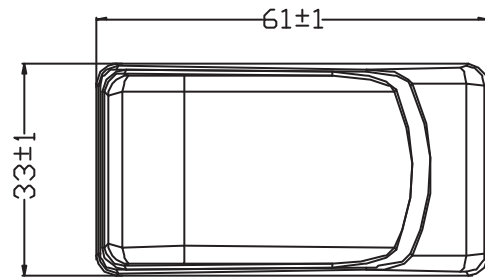
Material: metalized polyester
Color: black on silver base

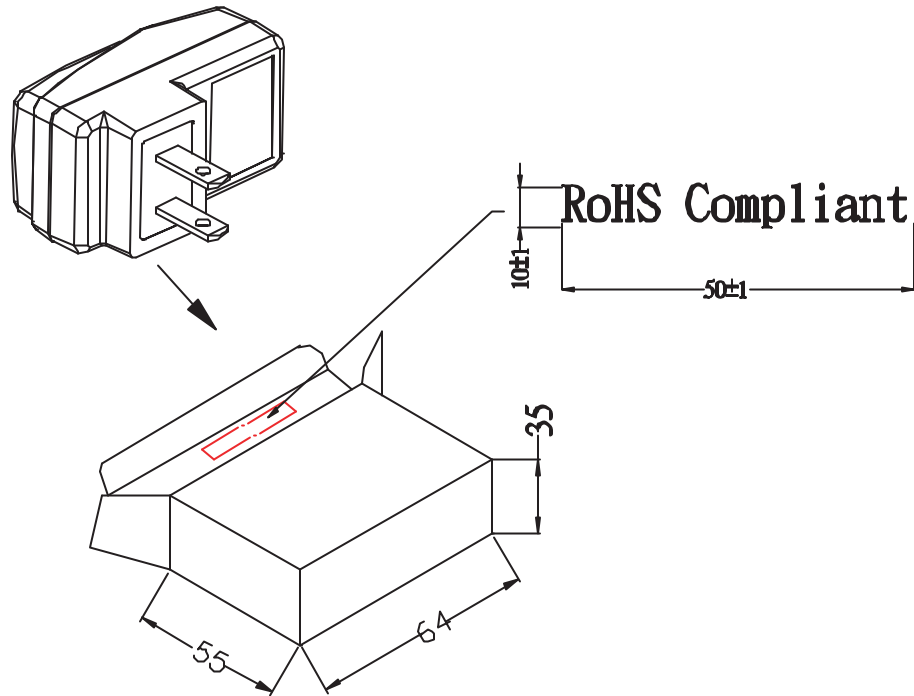
Remarks: YYWW X
YY=production year
WW=production week
X=production location

Mechanical Drawing

 Tolerance: ± 1

Input plug	Direct plug-in UL type
Weight	55 g
Case size	61 L x 33 W x 35 H mm
Output connection	USB type A receptacle



Individual PackagingTolerance: ± 1 



Packaging

Tolerance: +7/-0

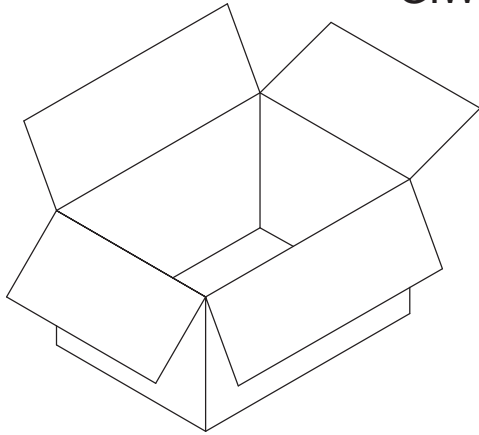
CARTON SIZE: 347X302X175mm

Q'TY: 100pcs(25x4)

N.W: 5.5KGS

G.W: 6.3KGS

G.W: 6.8KGS



"RoHS Compliant"

